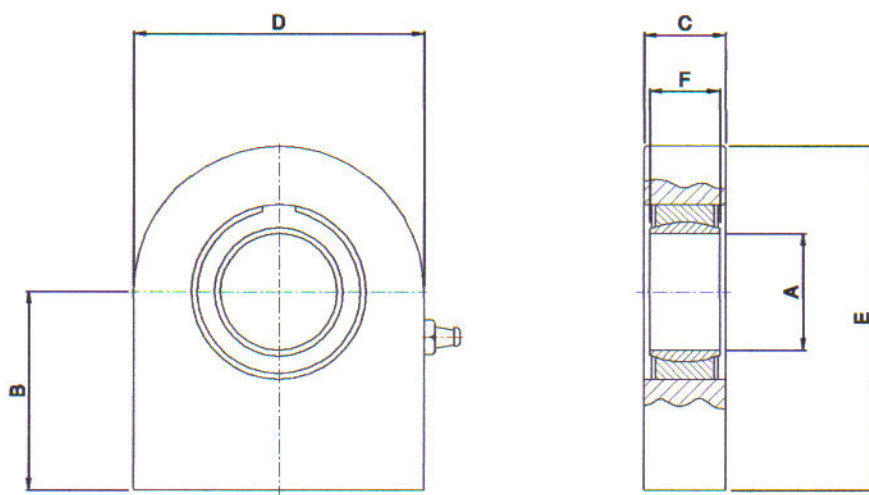


DIMENSIONS

WELDABLE END
DIN 648



CODE	A	B	C	D	E	F	STATIC LOAD KN	DYNAMIC LOAD KN
1/20	20	38	19	50	63	16	67	30
1/25	25	45	23	55	72.5	20	118	62
1/30	30	51	28	65	83.5	22	118	62
1/35	35	61	30	83	102.5	25	196	80
1/40	40	69	35	100	119	28	300	100
1/45	45	77	40	110	132	32	380	127
1/50	50	88	40	123	149.5	35	440	156
1/60	60	100	50	140	170	44	570	245
1/70	70	115	55	164	197	49	695	315
1/80	80	141	60	180	231	55	780	400
1/90	90	150	65	226	263	60	1340	490
1/100	100	170	70	250	295	70	1500	610
1/110	110	185	80	295	322.5	70	2160	655
1/120	120	210	90	360	390	85	3250	950

All dimensions in mm unless otherwise stated