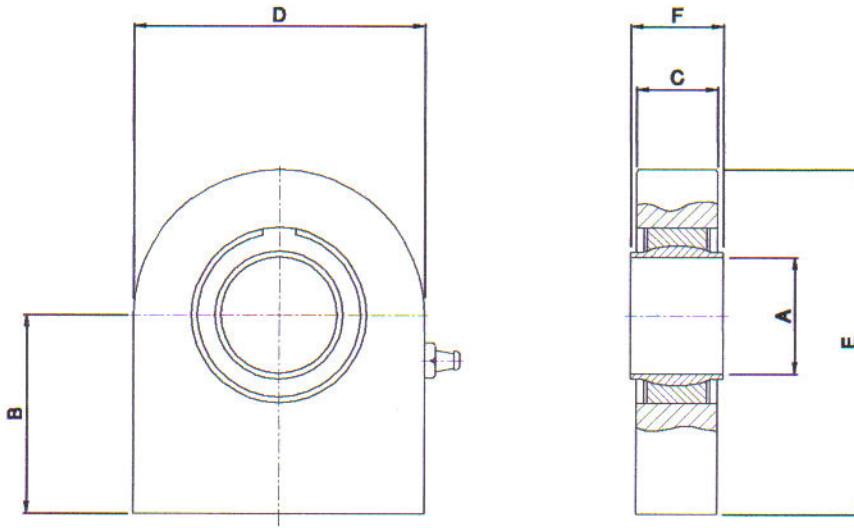


DIMENSIONS



WELDABLE END
DIN 24333/6
ISO 6022

CODE	A	B	C	D	E	F	STATIC LOAD KN	DYNAMIC LOAD KN
2/20	20	38	19	50	63	20	74	30
2/25	25	45	23	55	72.5	25	95	48
2/32	32	65	27	70	103	32	168	62
2/40	40	69	35	100	119	40	268	100
2/50	50	88	40	123	149.5	50	362	156
2/63	63	107	52	132	178	63	570	248
2/70	70	115	55	164	197	70	800	315
2/80	80	141	60	180	231	80	874	400
2/90	90	150	65	226	263	90	1045	490
2/100	100	170	70	250	295	100	1330	610
2/110	110	185	80	295	322.5	110	1490	655

All dimensions in mm unless otherwise stated