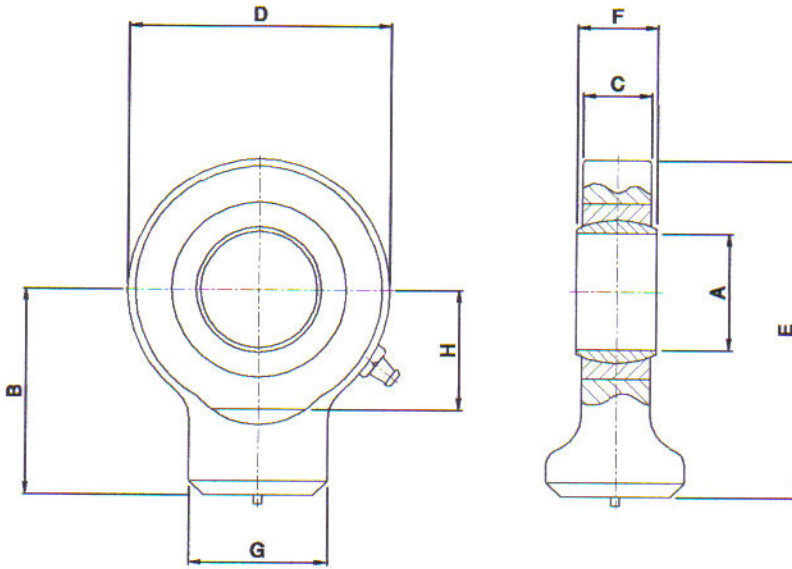


DIMENSIONS

WELDABLE END
DIN 648



CODE	A	B	C	D	E	F	G	H	STATIC LOAD KN	DYNAMIC LOAD KN
3/10	10	24	7	29	38.5	9	15	14	15	8
3/12	12	27	8	34	44	10	17.5	18	21	10
3/15	15	31	10	40	51	12	21	20	32	17
3/17	17	35	11	46	58	14	24	23	40	21
3/20	20	38	13	53	64.5	16	27.5	27.5	54	30
3/25	25	45	17	64	77	20	33.5	33	72	48
3/30	30	51	19	73	87.5	22	40	37.5	95	62
3/35	35	61	21	82	102	25	47	43	125	80
3/40	40	69	23	92	115	28	52	48	156	100
3/45	45	77	27	102	128	32	58	52	208	127
3/50	50	88	30	112	144	35	62	59	250	156
3/60	60	100	38	135	167.5	44	70	72.5	390	245
3/70	70	115	42	160	195	49	80	86	510	315
3/80	80	141	47	180	231	55	95	98	620	400

All dimensions in mm unless otherwise stated