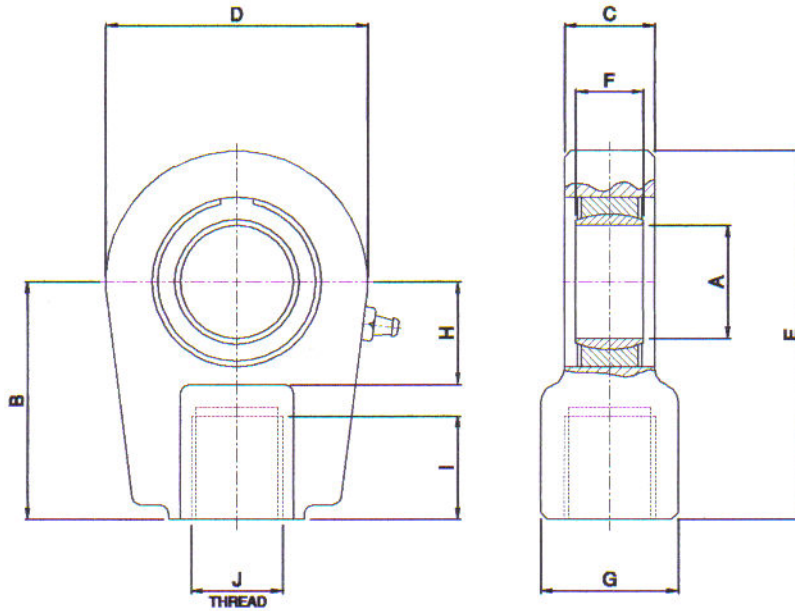


DIMENSIONS

THREADED END
DIN 648



CODE	A	B	C	D	E	F	G	H	I	J THREAD	STATIC LOAD KN	DYNAMIC LOAD KN
4/20	20	50	19	56	80	16	25	25	17	M16x1.5	72	30
4/25	25	50	23	56	80	20	25	28	17	M16x1.5	72	48
4/30	30	60	28	64	94	22	32	30	23	M22x1.5	106	62
4/35	35	70	30	78	112	25	40	38	29	M28x1.5	153	80
4/40	40	85	35	94	135	28	49	45	36	M35x1.5	250	100
4/50	50	105	40	116	168	35	61	55	46	M45x1.5	365	156
4/60	60	130	50	130	200	44	75	65	59	M58x1.5	400	245
4/70	70	150	55	154	232	49	86	75	66	M65x1.5	540	315
4/80	80	170	60	176	265	55	102	80	81	M80x2	670	400
4/90	90	210	65	206	323	60	124	90	101	M100x2	960	490
4/100	100	235	70	230	360	70	138	105	111	M110x2	1120	610
4/110	110	266	80	265	407.5	70	152	115	125	M120x3	1700	655
4/120	120	310	90	340	490	85	172	140	135	M130x3	2900	950

All dimensions in mm unless otherwise stated