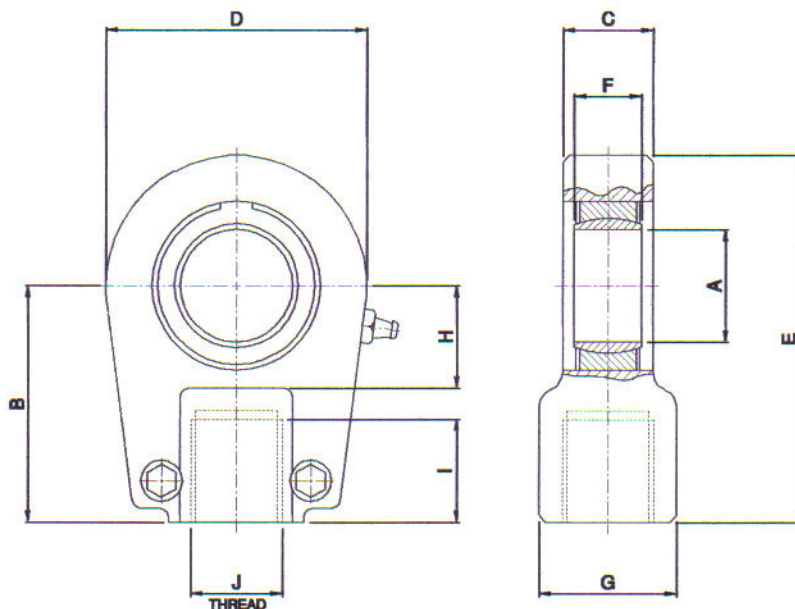


DIMENSIONS

THREADED END DIN 648



| CODE | A | B | C | D | E | F | G | H | I | J THREAD | STATIC LOAD KN | DYNAMIC LOAD KN |
|-------|-----|-----|----|-----|-------|----|-----|-----|-----|-------------|-------------------|--------------------|
| 5/20 | 20 | 50 | 19 | 56 | 80 | 16 | 25 | 25 | 17 | M16x1.5 | 72 | 30 |
| 5/25 | 25 | 50 | 23 | 56 | 81 | 20 | 25 | 28 | 17 | M16x1.5 | 72 | 48 |
| 5/30 | 30 | 60 | 28 | 64 | 94 | 22 | 32 | 30 | 23 | M22x1.5 | 106 | 62 |
| 5/35 | 35 | 70 | 30 | 78 | 112 | 25 | 40 | 38 | 29 | M28x1.5 | 153 | 80 |
| 5/40 | 40 | 85 | 35 | 94 | 135 | 28 | 49 | 45 | 36 | M35x1.5 | 250 | 100 |
| 5/50 | 50 | 105 | 40 | 116 | 168 | 35 | 61 | 55 | 46 | M45x1.5 | 365 | 156 |
| 5/60 | 60 | 130 | 50 | 130 | 200 | 44 | 75 | 65 | 59 | M58x1.5 | 400 | 245 |
| 5/70 | 70 | 150 | 55 | 154 | 232 | 49 | 86 | 75 | 66 | M65x1.5 | 540 | 315 |
| 5/80 | 80 | 170 | 60 | 176 | 265 | 55 | 102 | 80 | 81 | M80x2 | 670 | 400 |
| 5/90 | 90 | 210 | 65 | 206 | 323 | 60 | 124 | 90 | 101 | M100x2 | 960 | 490 |
| 5/100 | 100 | 235 | 70 | 230 | 360 | 60 | 138 | 105 | 111 | M110x2 | 1120 | 610 |
| 5/110 | 110 | 266 | 80 | 265 | 407.5 | 70 | 152 | 115 | 125 | M120x3 | 1700 | 655 |
| 5/120 | 120 | 310 | 90 | 340 | 490 | 85 | 172 | 140 | 135 | M130x3 | 2900 | 950 |

All dimensions in mm unless otherwise stated